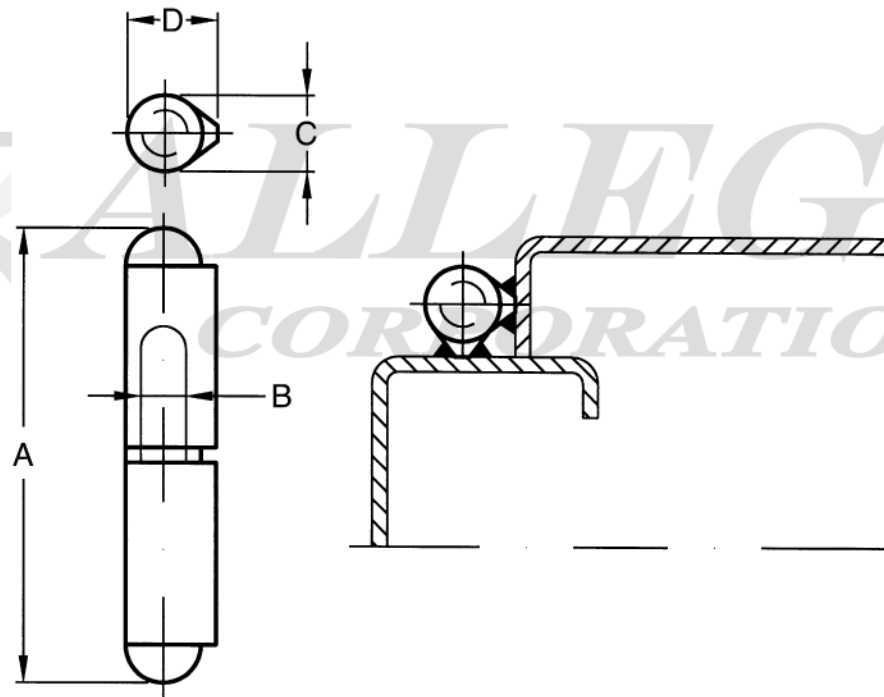


Steel Pin	Brass Pin	mm	A	in.	mm	B	in.	mm	C	in.	mm	D	in.	mm	E	in.
H2140	H2240	40		1.574	5		.196	8		.314	10		.394	1.5		.059
H2150	H2250	50		1.968	5		.196	8		.314	10		.394	1.5		.059
H2160	H2260	60		2.362	6		.236	10		.394	11.9		.467	2		.078
H2170	H2270	70		2.755	6		.236	11.5		.452	13.2		.520	2		.078
H2180	H2280	80		3.149	8		.314	13		.511	15.5		.610	2		.078
H2110	H2210	100		3.937	10		.394	16		.629	19.6		.772	2.5		.098
H2112	H2212	120		4.724	10		.394	16		.629	19.6		.772	2.5		.098
H2115	H2215	150		5.905	13		.511	20		.787	25.4		1.00	3		.118
H2118	H2218	180		7.086	13		.511	20		.787	25.4		1.00	3		.118
H2120	H2220	200		7.874	16		.629	23		.905	28.5		1.122	4		.157



www.ALLEGISCORP.com
1-866-378-7550

MATERIAL :
Steel Pin with Brass Washer

REV. :
1 : 1

DATE :
1-10-2013

DESCRIPTION :
Weld-on Hinge

PART NUMBER :
H2110 - H2180